

# SWITCHING BOX

Model RT-VWSB



Model RT-VWSB-20-0-B-0-B-A

## APPLICATIONS

The Switching Box Model RT-VWSB allows sensor leads grouping in a single location, thus providing a convenient means of taking readings. The RT-VWSB is designed to accept 4-conductor sensors and is especially fitted for vibrating wire gauges and their thermistors.

## DESCRIPTION

The RT-VWSB consists of a fiberglass enclosure containing terminal blocks, rotary switches, cable input connectors and sockets for portable readout connection.

The switching box can handle up to twenty 4-conductor sensors, and allows lightning protection to be added for each of these conductors.

The RT-VWSB may be fitted with an RTX-248 multiplexer for use with a SENSLOG 1000X data acquisition system. This option is available in 8- or 16-channel versions only. Please refer to the SENSLOG 1000X brochure for more information about the RTX-248. Connection to another type of data acquisition system — not requiring the RTX-248 — is also possible through a 40-pin adapter cable (available upon request).

## FEATURES

- Rugged, splashproof, non-corrosive fiberglass enclosure
- 20 channels, 4 conductors
- Lightning protection available
- Multiplexer available

## ORDERING INFORMATION

### MODEL RT-VWSB XX-A-B-C-D-E

XX	Number of positions	08	–	8 positions (for RTX-248 multiplexers only)
		16	–	16 positions (for RTX-248 multiplexers only)
		10	–	10 positions
		20	–	20 positions
A	Enclosure	0	–	Fiberglass enclosure
		A	–	Steel (10 and 20 positions only)
		B	–	Stainless steel (10 and 20 positions only)
B	Lightning protection	0	–	No protection (standard)
		A	–	Gas tube (10 and 20 positions only)
		B	–	Gas tube and diode
C	RTX-248 multiplexer	0	–	No RTX-248 (standard)
		A	–	RTX-248A (16 positions only) <sup>(1)</sup>
		C	–	RTX-248C (16 positions only – 2 separately addressable RTX-248F) <sup>(2)</sup>
		F	–	RTX-248F (8 positions only) <sup>(1)</sup>
D	Cable input connector	0	–	No connector (standard)
		A	–	50 mm (2 in.) conduit connector
		B	–	10 plastic watertight connectors (fiberglass enclosure only)
		C	–	20 plastic watertight connectors (fiberglass enclosure only)
		D	–	8 plastic watertight connectors (fiberglass enclosure only)
		E	–	16 plastic watertight connectors (fiberglass enclosure only)
		F	–	10 zinc-plated steel watertight connectors
G	–	20 T&B (metallic box only)		
E	Front panel connector	0	–	4 female pins (standard)
		A	–	4 female pins plus 6-pin Cannon connector (adapted jumper cable required)

Other specifications available upon request

## SPECIFICATIONS

**ENCLOSURE** 12 × 8 in. NEMA 4X gray fiberglass

### ROTARY SWITCH

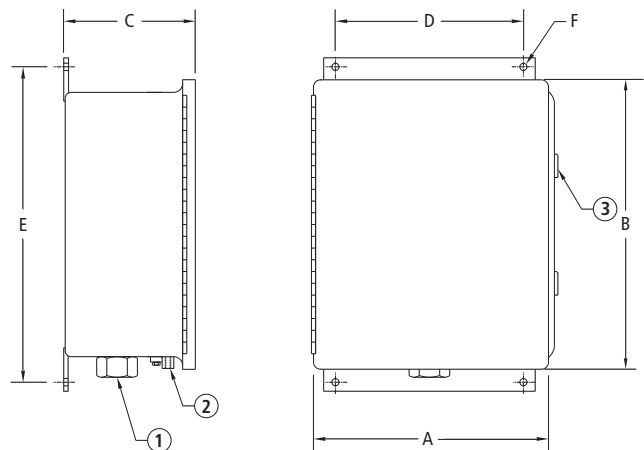
#### Manual switching

Contact resistance 50 MΩ max.  
Insulation resistance 1000 MΩ min.

Automatic switching Two 0.5 V ports required (CLK, RST)<sup>(1)</sup>  
(with RTX-248 option) Four 0.5 V ports required (2 × CLK, RST)<sup>(2)</sup>

#### Dimensions

A 292 mm  
B 302 mm  
C 133 mm  
D 203 mm  
E 355 mm  
F 6.35 mm (diameter)



1 - Optional 50-mm (2 in.) conduit connector

2 - Grounding lug

3 - Cover latch